

AHL-LIGHT 50

ROBUST AND RADIATION-TOLERANT LED LIGHT FOR USE IN AIR AND WATER



The AHL-LIGHT 50 is a high-performance, radiation-tolerant industrial LED light, engineered for nuclear environments. With unique capability of operating in both air and water, AHL-LIGHT 50 is multiplying its work applications in irradiated areas. It features a luminous flux of 55,000 lumens at 3000K or 58,000 lumens at 5000K to 3 bars pressure at IP68 rating. Minimal maintenance is ensured by using LED technology with over 50,000 operational hours.

APPLICATIONS

- For mobile and permanent underwater and air use in fuel and reactor pools.
- For mobile and permanent in-air use in hot-cells, waste management facilities and NPP buildings.
- High-temperature tolerant lighting in reactor zones.
- 24/7 illumination in high radiation areas.

BENEFITS

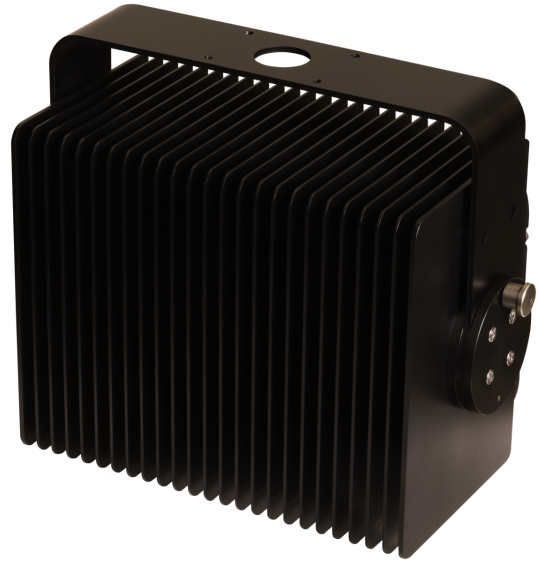
- Multipurpose use.
- 58 000 lumen light output.
- Long-term use in air and underwater.
- Low maintenance costs due to its long lifetime.
- FME approved design.
- Power supply can be placed in air or underwater.
- Different brackets and holders can be provided upon customer request to fulfill specific needs.

SPECIFICATIONS

Dimensions (HxWxD)	309 x 337 x 158 mm (12.17 x 13.27 x 6.22 inch)
Weight	9 kg (19.84 lbs), under water 4.5kg (9.92 lbs)
Housing material	Anodized Aluminum (EN AW-6082 T6), Stainless steel (EN 1.4301)
Front glass material	Polycarbonate
Maximum ambient temperature	50°C (122°F) both air and water
Overheat protection	Yes
Water tightness	3 bar (30 m)
IP classification	IP68 30 m (65.62 ft) 24/7/365
Typical luminous flux	55 000lm (@ 3000K), 58 000lm (@ 5000K)
Color rendering index	CRI 80
Color temperature	3000K, 5000K
Lighting angle	64°
Life time	>50 000 h
Radiation tolerance (total dose)	50 000 Gy (5 000 000 rad)
Maximum cable length	40m

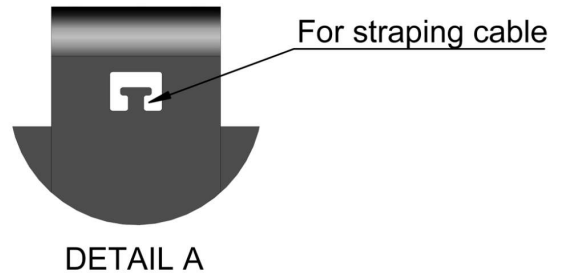
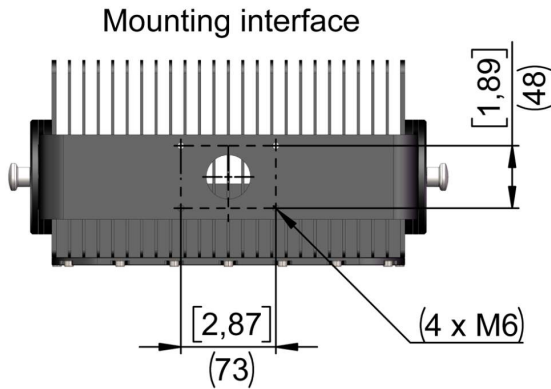
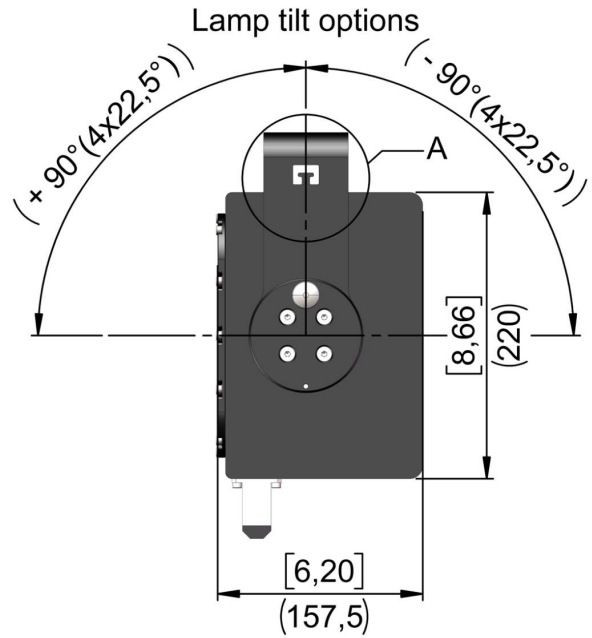
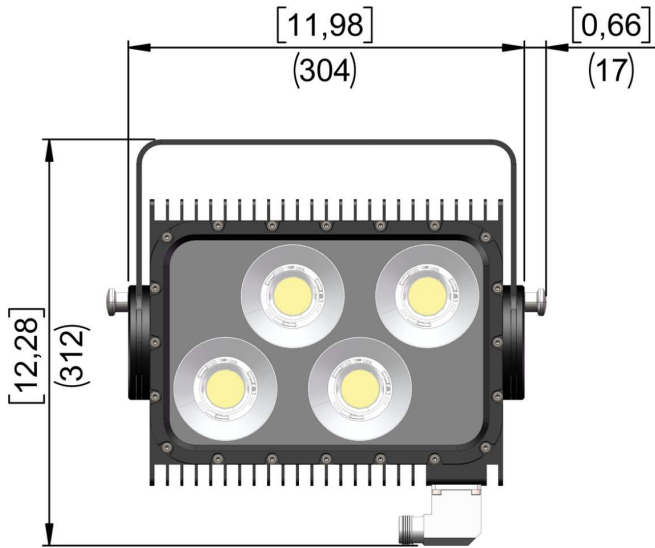
We reserve the right to alter specifications without prior notice

AHL-LIGHT 50 IMAGES



We reserve the right to alter specifications without prior notice

AHL-LIGHT 50 DIMENSIONS



We reserve the right to alter specifications without prior notice